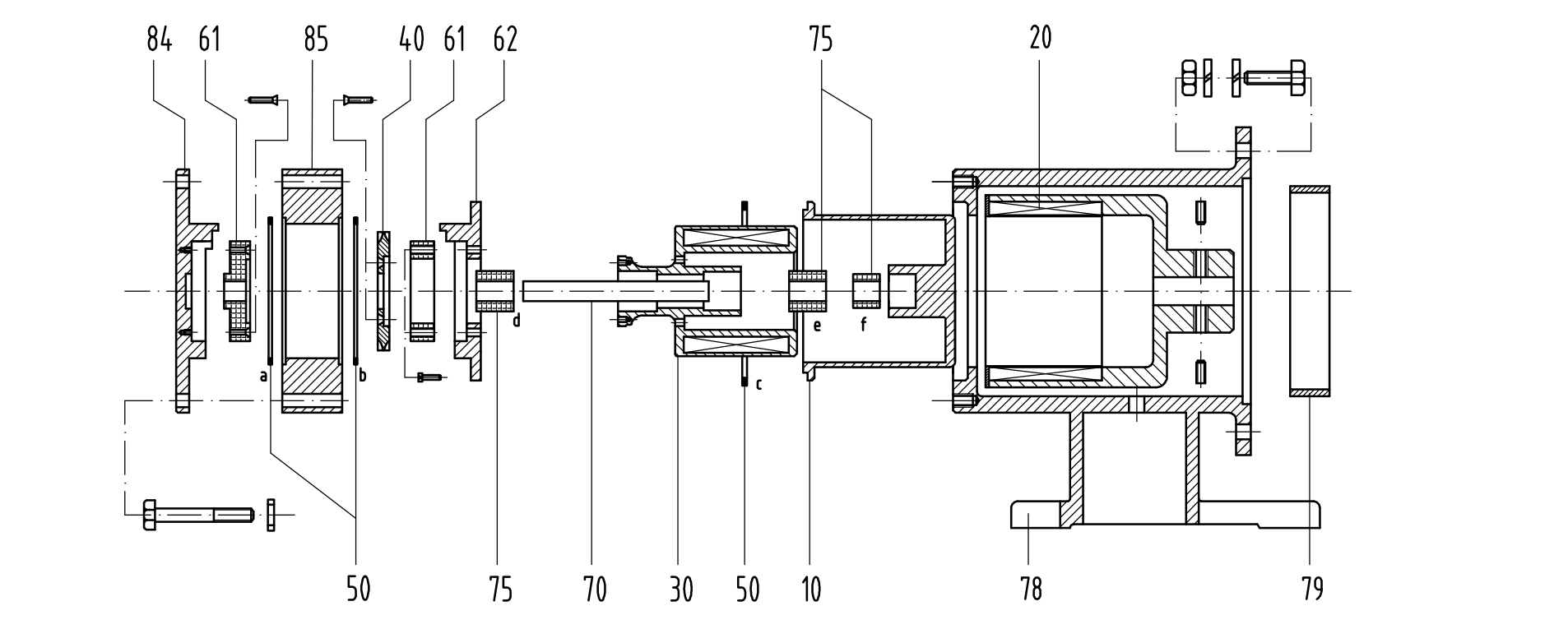


(x) DIFFERENT FROM MOTOR MANUFACTURER
- DIRECTION AND PORTS LOCATION ARE REVERSIBLE

REF	DESCRIPTION	MATERIAL	CODE
10	Containment shell	Titan 5/ 3.7165	CA-0078-0010-T5
20	Ext. Magnet	C-Steel / CoSm	CA-0078-0020-CS
30	Int. Magnet	HC276 / 2.4819	CA-0078-0030-C276-CS
40	Impeller	HC276 / 2.4819	CA-0078-0040-C276
50	Set O-Rings (a+b+c) a + b = O-Ring 4375 (240) c = O-Ring 4437 (245)	Viton	CA-0078-0050-VI
61	Thrust Bearings	P-Carbon	CA-0078-0061-PC
62	Rear Ring	Duplex / 1.4410	CA-0078-0062-DX
70	Shaft	SSiC	CA-0078-0070-SI
75	Sleeve Bearings Bearings (d+e) Bearing (f)	SSiC	CA-0078-0075-SI
78	Bracket (250-180-28)	Ductile Iron	CA-0078-0078-GGG
79	Rub Ring		
84	End Cover	Duplex / 1.4410	CA-0078-0084-DX
85	Pump Casing	Duplex / 1.4410	CA-0078-0085-DX
88	Rear Wet End (10+30+40+50+61+62+70+75)		DTCA-0078-DVIHCT-RWE-EPOL



MARCH PUMPEN GmbH & Co.KG
Rathenaustraße 2
D-35394 Gießen

www.march-pumpen.com
info@march-pumpen.com

Baureihe / Series:	MTA
Typ / Type:	MTA 78-DVIHCT-F
Motor:	IEC 100/112 B5